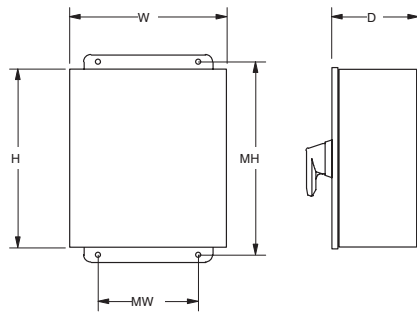


## Approximate dimensions ①

### 16A – 200A Non-fused



#### 3-pole switch

Switch size	Enclosure type	H Height	W Width	D Depth	MH Mtg. Height	MW Mtg. Height	Weight
NF16_ NF25_ NF32_	1	7	5	3	4.0	4.0	4
	3R, 4, 12				7.75	3.0	
NF45_ NF63_ NF30_ NF60_	1	8	6	4	7.0	5.0	6
	3R, 4, 12				8.75	4.0	
NF100	1	10	8	6	7.0	7.0	9
	3R, 4, 12				10.75	6.0	
NF125	1	14	12	8	11.0	9.0	20
	3R, 4, 12				14.75	10.0	
NF200	1, 3R, 4, 12	24	16	8	25.5	14.5	50

#### 6-pole switch

Switch size	Enclosure type	Encl. Dwg.	H Height	W Width	D Depth	MH Mtg. Height	MW Mtg. Height	Weight
NF16 NF25 NF32	1	A	10	8	5	7.0	7.0	6
	3R					10.75	6.0	
	4							
	12							
NF45 NF63	1	A	10	8	5	7	7	6
	3R					10.75	6	
	4							
	12							
NF30 NF60 NF100	1	A	10	8	5	7	7	9
	3R					10.75	6	
	4							
	12							
NF125	1	A	14	12	8	11	9	20
	3R					14.75	10	
	4							
	12							
NF200	1	A	24	24	8	22.5	22.5	60
	3R							
	4							
	12							

#### 3-pole transfer switch

Switch size	Enclosure type	Encl. Dwg.	H Height	W Width	D Depth	MH Mtg. Height	MW Mtg. Height	Weight
NF16 NF25 NF32	1	A	10	8	5	7.0	7.0	6
	3R					10.75	6.0	
	4							
	12							
NF45 NF63	1	A	14	12	8	14.75	10	20
	3R							23
	4							
	12							
NF30 NF60 NF100	1	A	16	16	6	14.5	14.5	19
	3R		14			12	10.25	17
	4		16	12	8	14.5	10.5	16
	12		14			14.75	10	23
NF125	1	A	14	12	8	11	9	20
	3R					14.75	10	
	4							
	12							
NF200	1	A	24	24	8	22.5	22.5	60
	3R							
	4							
	12							

#### 3-pole by-pass switch

Switch size	Enclosure type	Encl. Dwg.	H Height	W Width	D Depth	MH Mtg. Height	MW Mtg. Height	Weight
NF16 NF25 NF32	1	A	14	12	8	14.8	10.0	20
	3R							
	4							
	12							
NF45 NF63	1	A	14	12	8	14.8	10	20
	3R							
	4							
	12							
NF30 NF60 NF100	1	A	14	12	8	14.8	10	20
	3R							
	4							
	12							
NF200	1	A	36	30	8	34.5	28.5	77
	3R							
	4							
	12							

① Dimensions subject to change; please consult factory for construction dimensions.